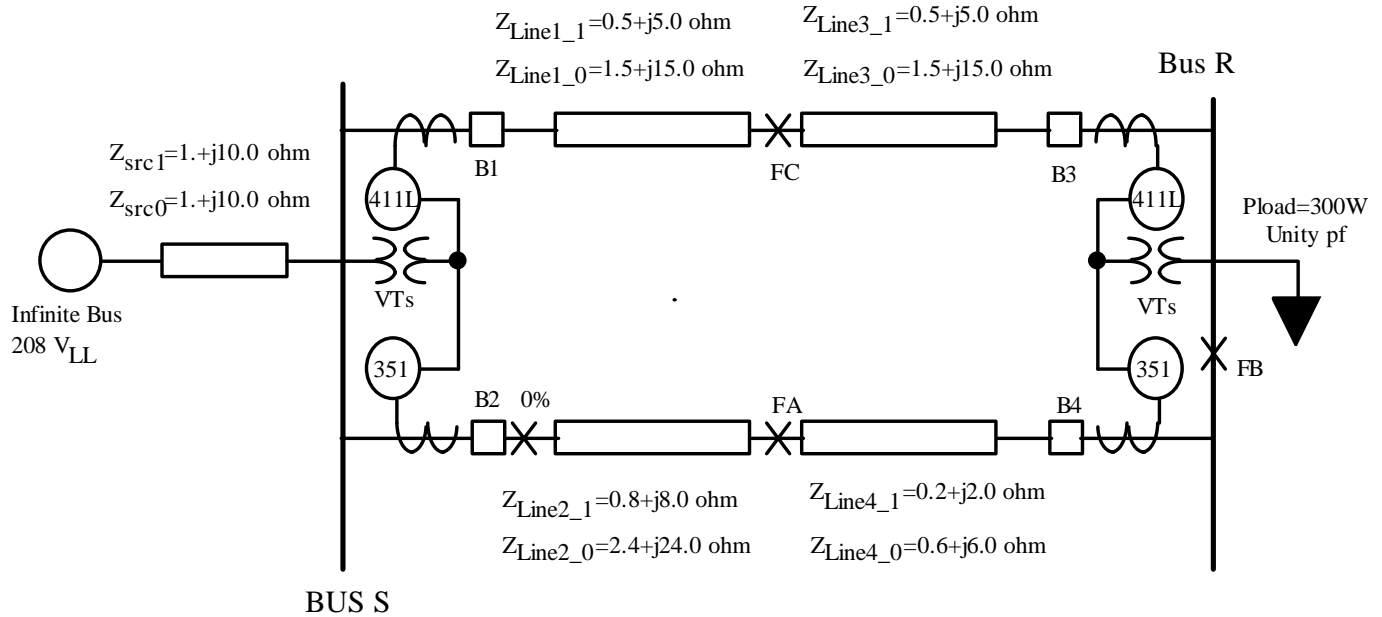


ECE 525: On Campus Lab 2, PART B
Directional Overcurrent Protection
Due: Nov 16

System One line



Lab 2B Procedure:

Set the SEL 351 at Bus R and test your settings by applying faults

- A. The relay settings for pick up currents will be provided
- B. Add the directional elements 32P for forward and reverse
- C. Test with forward and reverse faults by applying faults at FA, FB and FC. The relay should only trip for faults at FA.